

FIG. 1A

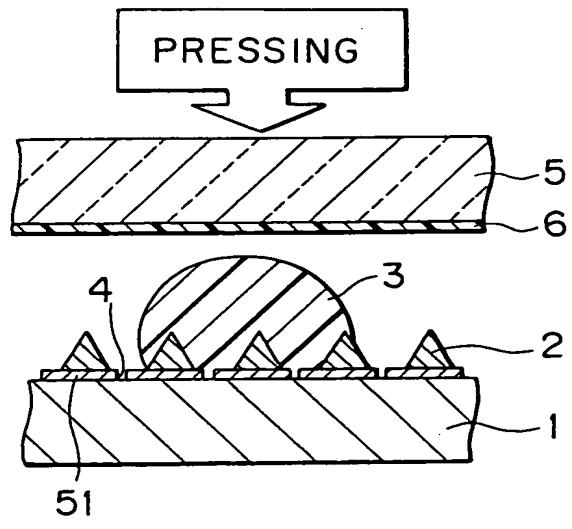


FIG. 1B

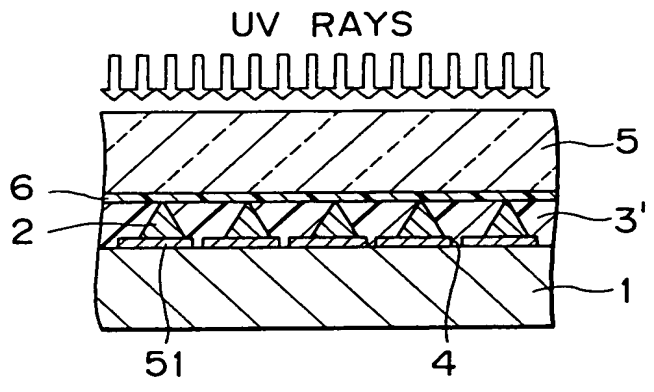


FIG. 1C

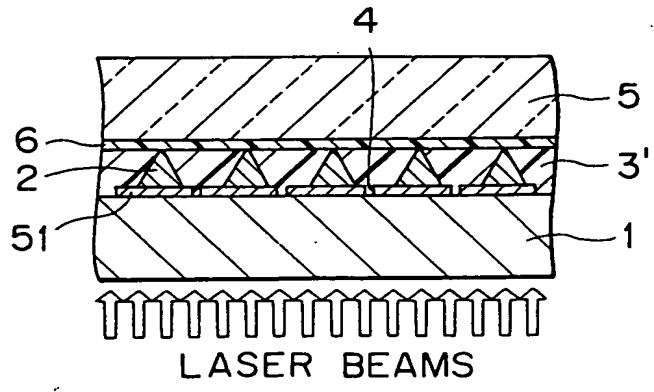


FIG. 2A

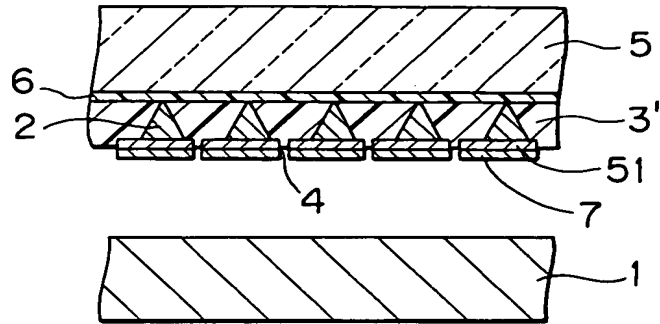


FIG. 2B

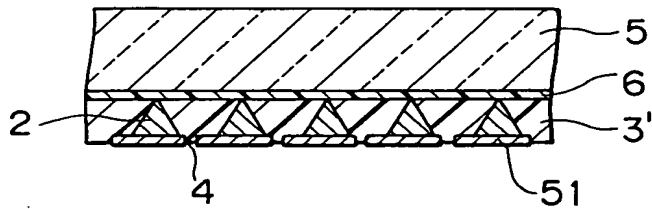


FIG. 2C

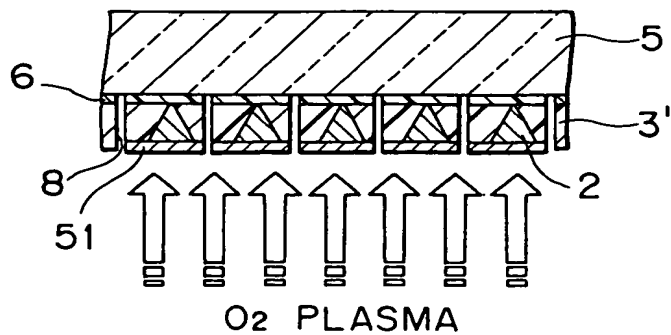


FIG. 3A

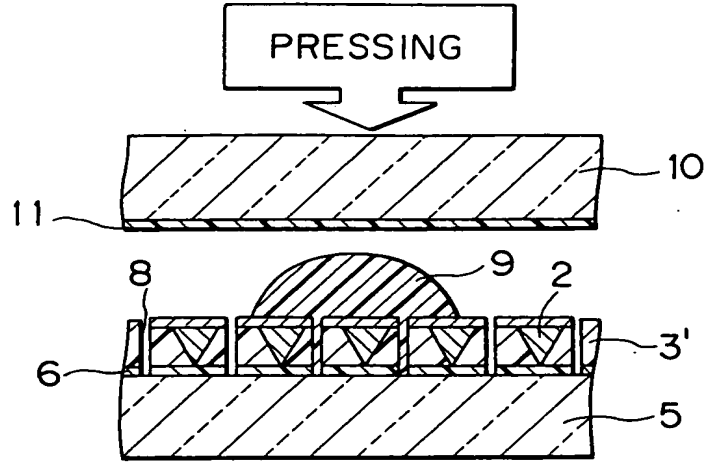


FIG. 3B

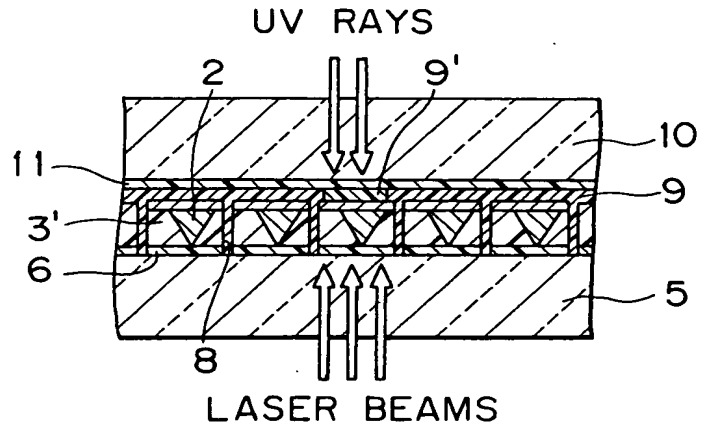


FIG. 3C

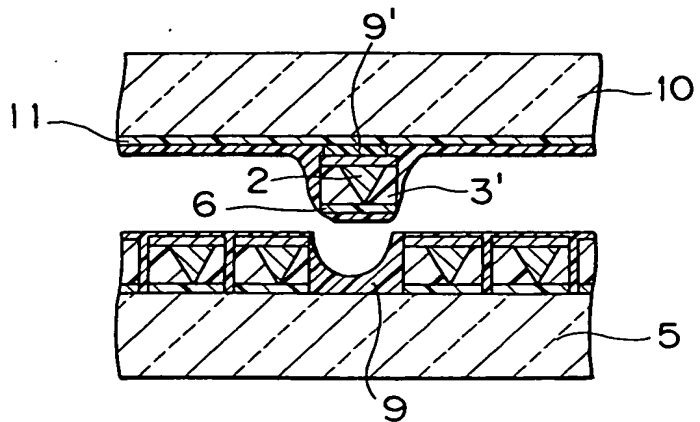


FIG. 4A

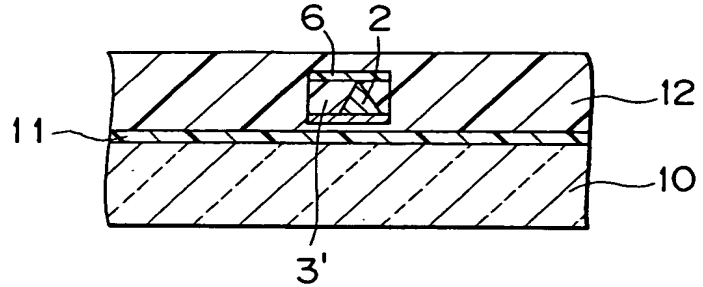


FIG. 4B

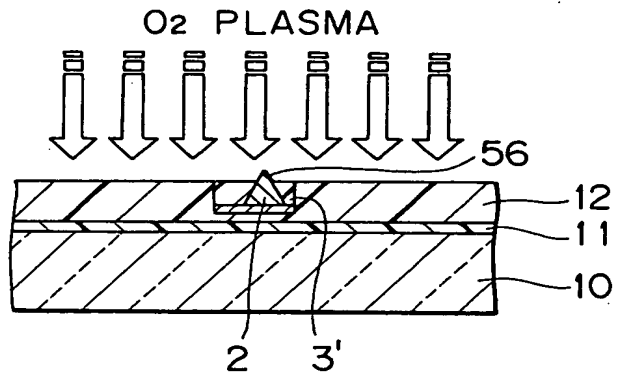
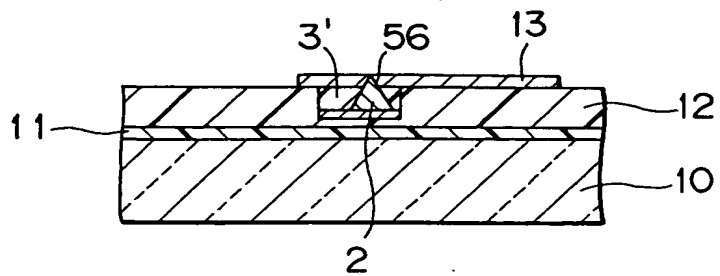


FIG. 4C



APPROVED	O.G. FIG.
BY	CLASS/SUBCLASS
RAFTSMAN	

FIG. 5A

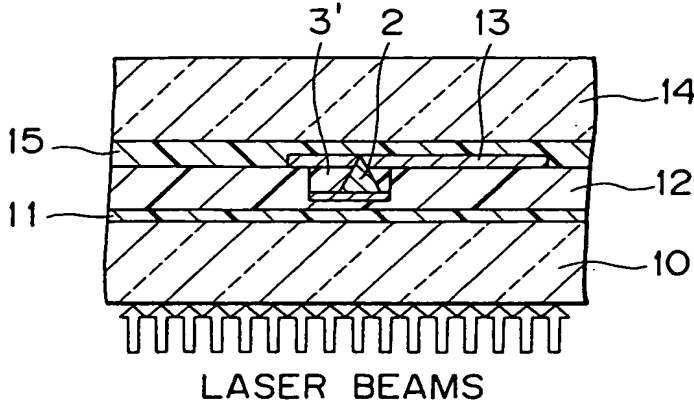


FIG. 5B

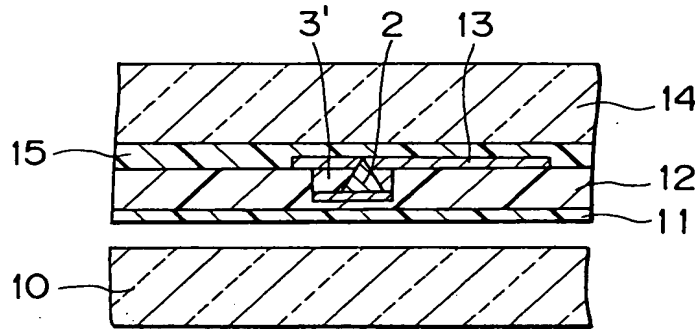


FIG. 5C

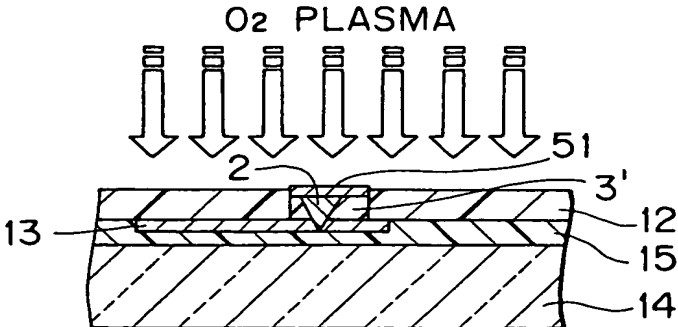


FIG. 6A

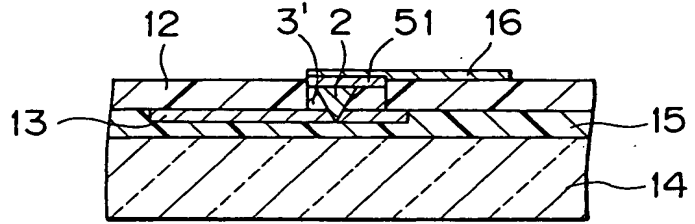


FIG. 6B

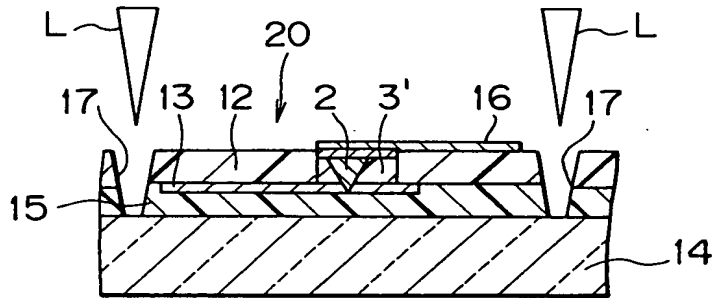
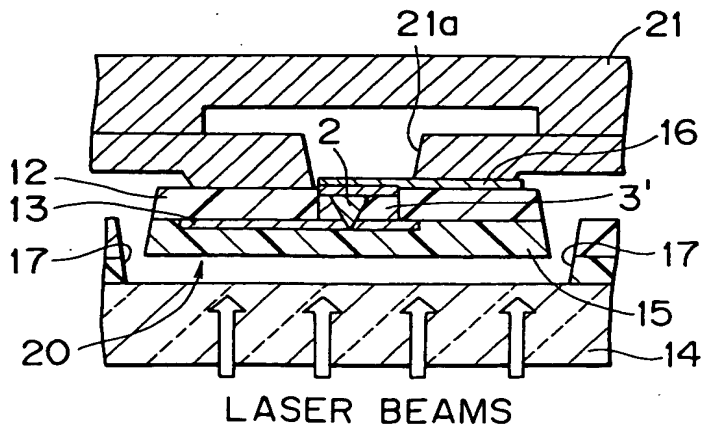


FIG. 6C



APPROVED	O.G. FIG. 13, 13B
BY	CLASS. SUBC.
CRAFTSMAN	438 26

FIG. 7A

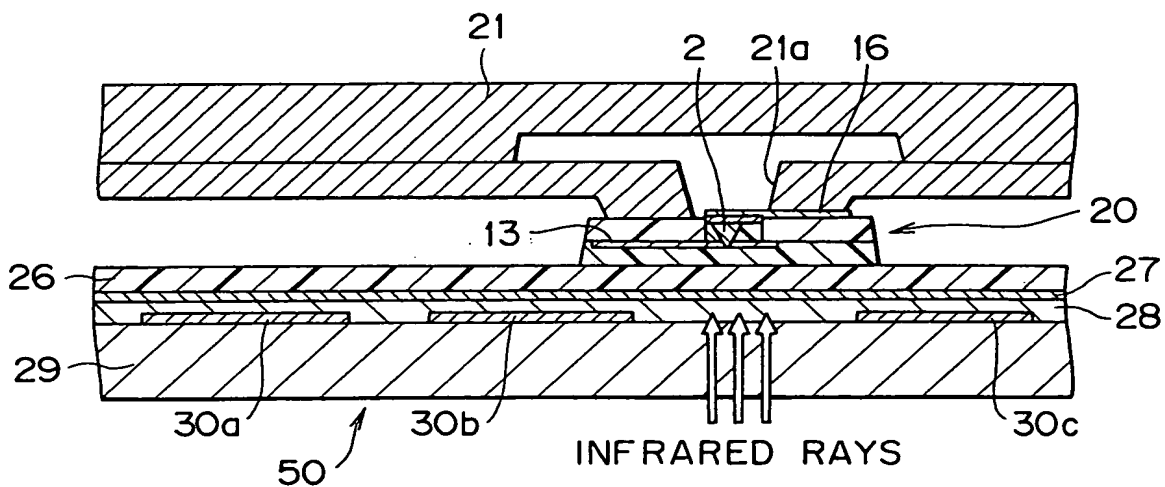
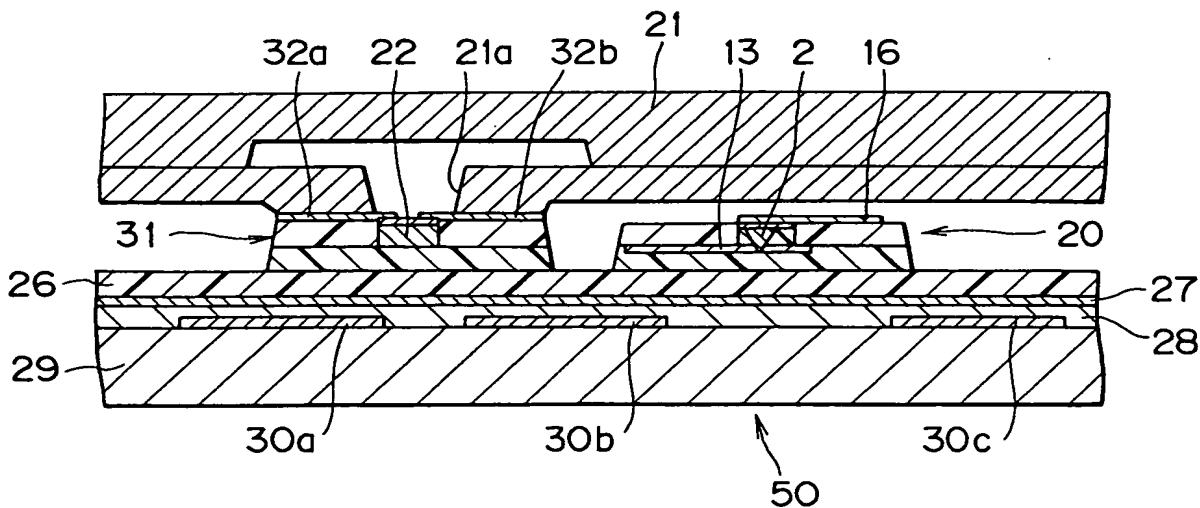


FIG. 7B



APPROVED	O.G. FIG.
BY	CLASS. SUBC.
CRAFTSMAN	

FIG. 8A

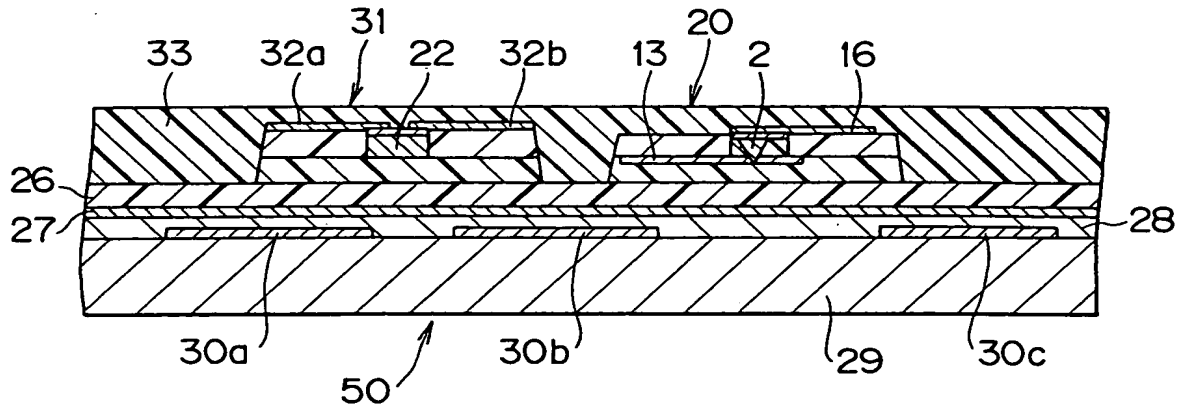


FIG. 8B

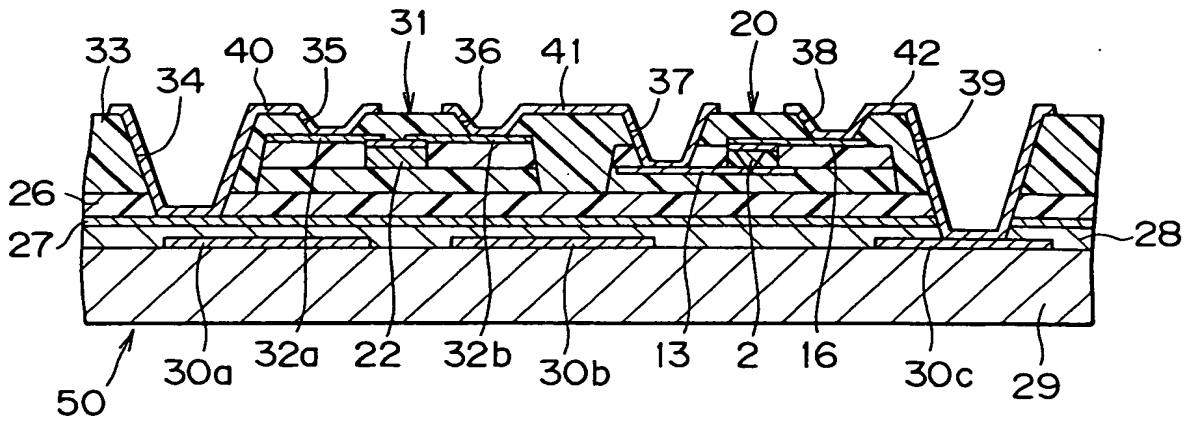




FIG. 9A

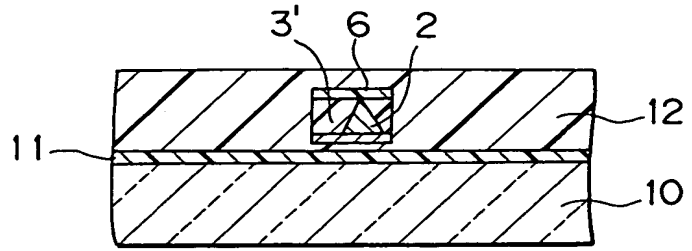


FIG. 9B

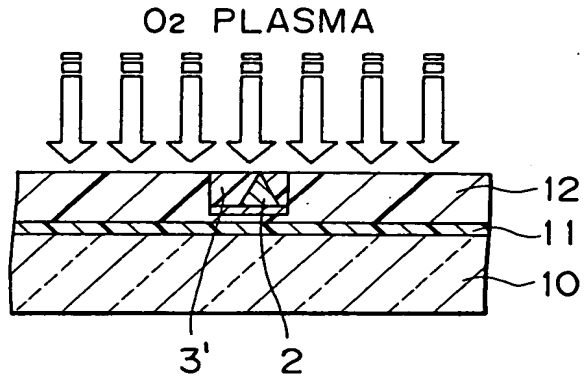


FIG. 9C

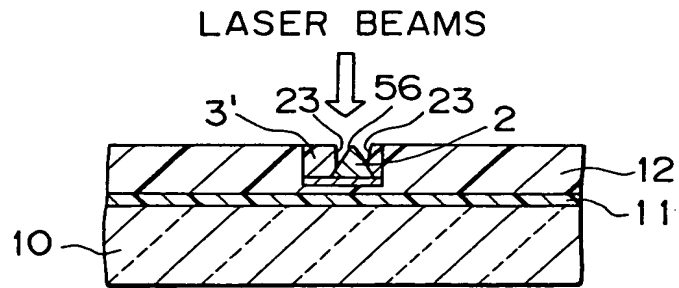
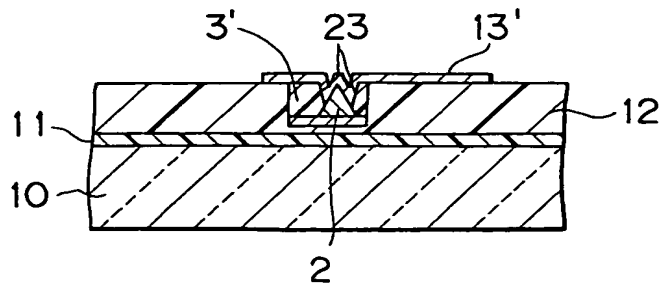


FIG. 9D



APPROVED	O.G. FIG.
BY	CLASS. SUBJECTS
DRAFTSMAN	

FIG. 10A

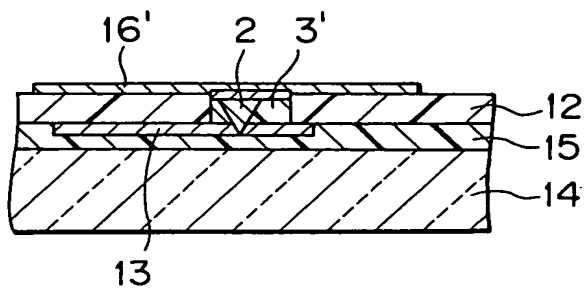
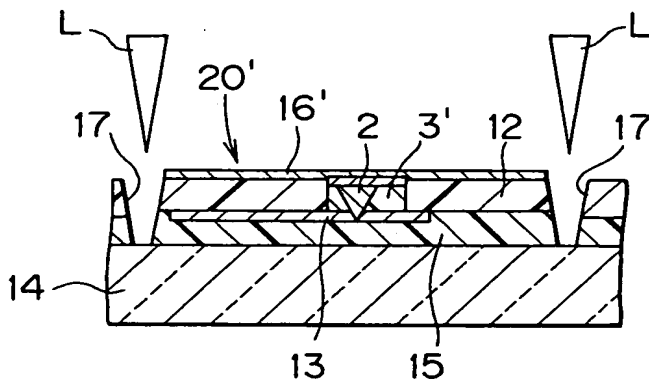


FIG. 10B



APPROVED	O.G. FIG.
BY	CLASS. SUBC.
DRAFTSMAN	

FIG. 11A

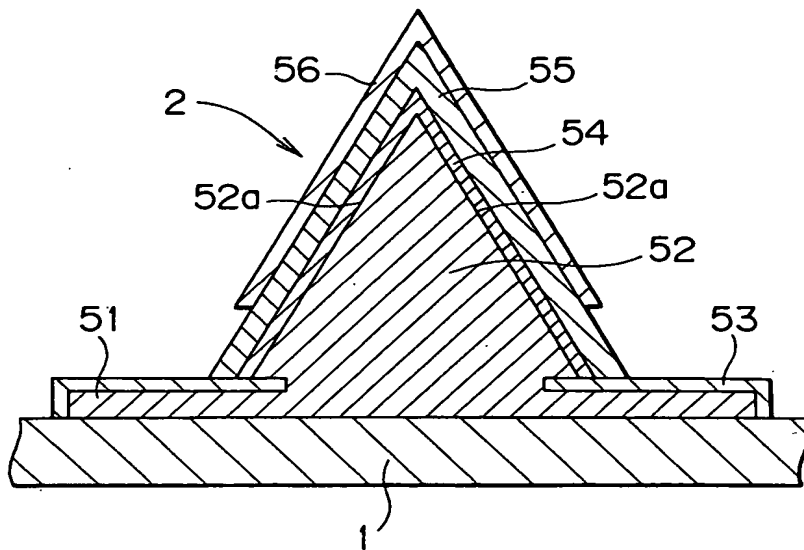
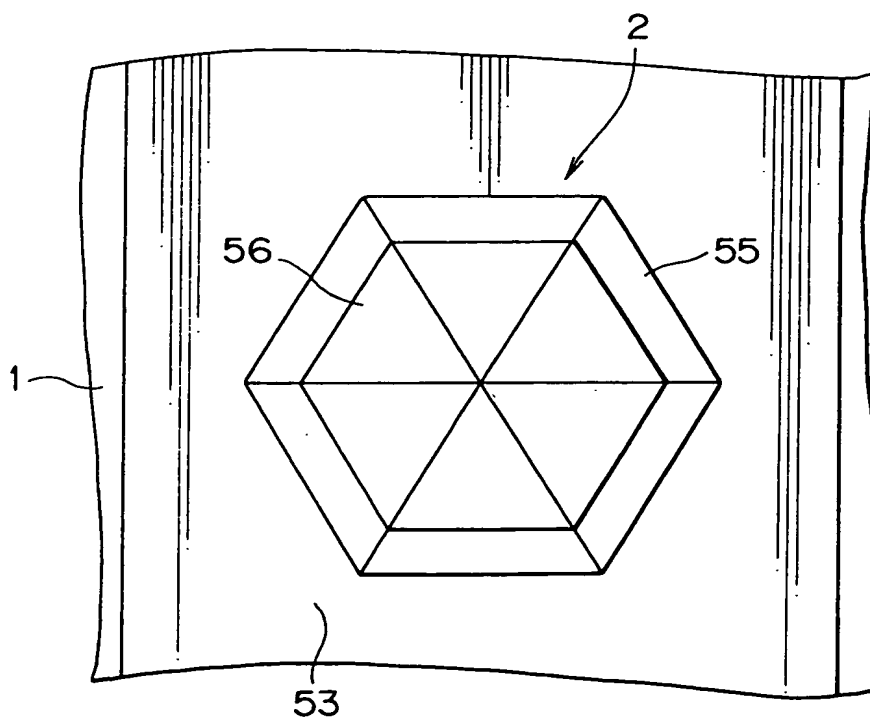


FIG. 11B



APPROVED	O.G. FIG.	
BY	CLASS	SUBCLASS
DRAFTSMAN		

FIG. 12

